

P400-1000-V2G

ALL IN ONE ARMoured P400, 1000TVL, UP TO 50M IR RANGE



• DAY & NIGHT



• MOTION DETECTION



• DIGITAL IMAGE STABILISER



• SENSE UP



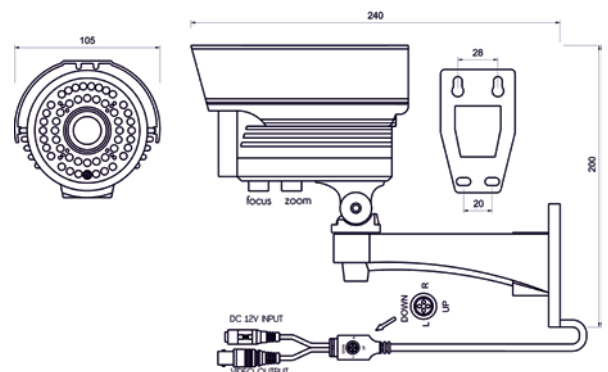
• ARMoured HOUSING



FEATURES

- 1/3 Digital Sensor 1099
- DSP: CMOS
- Lens: 2.8-12mm Varifocal
- Illumination: 0 Lux (IR LED On)
- Res: 1000TVL
- IR LED: 48pcs
- IR Range: up to 50m
- Voltage: 12V DC

DIAGRAM



Model No.	P400-1000-V2G
Image Sensor	1/3" Sony Exmor Digital Image Sensor
Number of Total Pixels	1280 × 1024 (1.3Mp)
Resolution DSP	More than 1000 TV Lines
Auto Gain Control	OFF / LOW / HIGH Selectable
Minimum Illumination	0 Lux (IR ON), 0.1Lux / 0.00003Lux (DSS ON) (IR OFF)
WDR	OFF / ON (Level Adjustable)
Sharpness	OFF / ON (Level Adjustable)
Video Output	CVBS/1.0Vp-p/75Ω
Signal to Noise Ratio	≥52dB (AGC OFF)
Gamma Correction	γ = 0.45
Lens	2.8-12mm Mega pixel lens
IR LED	48 PCS
Working Distance	40-50m
Current Consumption	100mA (IR OFF) ,40mA (IR ON)
Menu	OSD Control
Digital Day & Night Mode	AUTO / COLOR / NIGHT / EXT / CDS
Electronic Shutter	PAL:1/50 - 1/100,000 sec , NTSC:1/60 - 1/100,000 sec
White Balance	AUTO
Back Light Compensation	HLC (High Light Compensation)
Dynamic Noise Reduction	OFF / ON (2D+3D, Level Adjustable)
DIS (Digital Image Stabilizer)	ON / OFF
Digital Effect	NORMAL / MIRROR / VERTICAL / ROTATE
E-Zoom	X 8
Motion Detection	ON / OFF
Privacy Masking	ON / OFF (6 Zone)
Weight	1210g
Power Supply	DC12V±10%
IP Rating	IP66
Storage Temperature	-30~+80°C
Operating Temperature	-30~+75°C

