

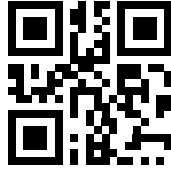


P400-1000 INSTALLATION GUIDE

OYN-X

For more information on all
OYN-X products, please
visit our website:

WWW.OYN-X.COM



WEBSITE LINK

MAIN FEATURES



Enhanced Sony
EXMORE
Sensor



3D-NR: Digital
Noise
Reduction



Auto White
Balance



Armoured
Housing

Specification: Multi-Language Versions

Modelo N	P400-1000
Sensor de imagen	1/3" Sony Exmor Sensor de imagen digital IMX238
Sistema de señal	PAL/NTSC
Elementos de la imagen	1280 x 1024 (1.3MP)
Lente	2.8 - 12mm Varifocal MP
Resolución Horizontal	1000TV Lines
S/N Radio	50dB (AGC OFF)
Obturador electrónico automático	PAL: 1/50-1/100,000 secs NTSC: 1/60 - 1/100,000 secs
Menú OSD	AE Mode, D&N, Motion Detection
WDR	ON / OFF
Modo de salida	4:3 / 16:9
Idioma	Francés / ruso / chino / italiano / Inglés
3D-NR	AUTO
Zoom Digital	0-5x (opcional)
Control automático de ganancia	Incorporado
White Balance	AUTO
IR LED	48 PCS
IR alcance	40-50M
Iluminación mínima salida de vídeo	0 Lux (IR ON) IR-cut tecnología
Gamme Corrección	1.0Vp-p señal compuesta (75ohm)
Fuente de alimentación	DC12V
Consumo de corriente	100mA (IR OFF) 420mA (IR ON)
IP clasificación	IP66
Temperatura de almacenamiento	-30°C~+80°C
Temperatura de funcionamiento	-30°C~+75°C
dimensiones	240x105x200mm
Peso	1210g

ADVERTENCIA: Esta cámara requiere instalación profesional

No di modello	P400-1000
sensores di immagine	1/3" Sony Exmor Immagine Sensore di immagineIMX238
sistema di segnale elementi immagine	PAL/NTSC
Lente	2.8 - 12mm Varifocal MP
Risoluzione orizzontale	1000TV Lines
S/N Radio	50dB (AGC OFF)
Shutter elettronico automatico	PAL: 1/50-1/100,000 secs NTSC: 1/60 - 1/100,000 secs
Menu OSD	AE Mode, D&N, Motion Detection
WDR	ON / OFF
Modalità uscita	4:3 / 16:9
Lingua	Francese / Russo / cinese / italiano / inglese
3D-NR	AUTO
Zoom digitale	0-5x (opzionale)
Auto Gain Control	Incassato
Bilanciamento del bianco	AUTO
IR LED	48 PCS
IR gamma	40-50M
illuminazione min uscita video	0 Lux (IR ON) IR-cut tecnologia
Correzione gamma	1.0Vp-p Composite Signal (75ohm)
alimentazione	DC12V
Consumo di corrente	100mA (IR OFF) 420mA (IR ON)
IP valutazione	IP66
Temperatura di stoccaggio	-30°C~+80°C
temperature operativo	-30°C~+75°C
Dimensioni	240x105x200mm
Peso	1210g

ATTENZIONE: Questa fotocamera richiede l'installazione professionale

Specification: English Language Version

ENGLISH	P400-1000
Model No.	P400-1000
Image Sensor	1/3" Sony Exmor Digital Image Sensor IMX238
Signal System	PAL/NTSC
Picture Elements	1280 x 1024 (1.3MP)
Lens	2.8 - 12mm Varifocal MP Lens
Horizontal Resolution	1000TV Lines
S/N Radio	50dB (AGC OFF)
Auto Electronic shutter	PAL: 1/50-1/100,000 secs NTSC: 1/60 - 1/100,000 secs
OSD Menu	AE Mode, D&N, Motion Detection
WDR	ON / OFF
Output Mode	4:3 / 16:9
Language	French/Russian/Chinese/Italian/English
3D-NR	AUTO
Digital Zoom	0-5x (Optional)
Auto Gain Control	Built-in
White Balance	AUTO
IR LED	48 PCS
IR Range	40-50M
Min Illumination	0 Lux (IR ON) IR-cut technology
Video output	1.0Vp-p Composite Signal (75ohm)
Gamma Correction	0.45
Power supply	DC12V
Current Consumption	100mA (IR OFF) 420mA (IR ON)
IP Rating	IP66
Storage Temperature	-30°C~+80°C
Operating Temperature	-30°C~+75°C
Dimensions	240x105x200mm
Weight	1210g

WARNING: This camera requires professional installation

Specification: Multi-Language Versions

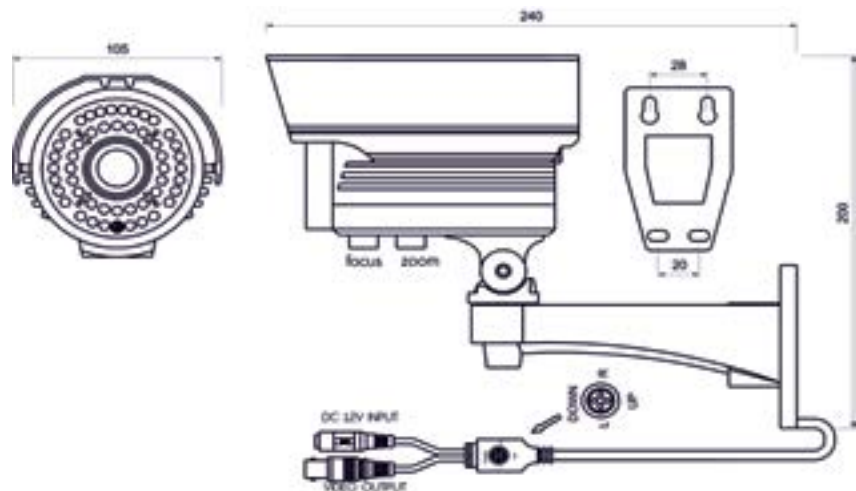
Modèle No	P400-1000
Capteur d'image	1/3" Sony Exmor Capteur d'image numérique IMX238
Système de signal éléments d'image	PAL/NTSC
Lentille	2.8 - 12mm Varifocal MP
Résolution horizontale	1000TV lignes
S/N Radio	50dB (AGC OFF)
Obturbateur électronique automatique	PAL: 1/50-1/100,000 secs NTSC: 1/60 - 1/100,000 secs
OSD Menu	AE Mode, D&N, Motion Detection
WDR	ON / OFF
Mode de sortie	4:3 / 16:9
Langue	Français / russe / chinois / italien / anglais
3D-NR	AUTO
Zoom numérique	0-5x (en option)
Auto Gain Control	Encassé
balance des blancs	AUTO
IR LED	48 PCS
IR gamme	40-50M
Eclairage mini	0 Lux (IR ON) IR-cut technologie
Sortie vidéo	1.0Vp-p signal composite (75ohm)
Correction gamma	0.45
Alimentation	DC12V
Consummation de courant	100mA (IR OFF) 420mA (IR ON)
IP évaluation	IP66
Température de stockage	-30°C~+80°C
Température de fonctionnement	-30°C~+75°C
Dimensions	240x105x200mm
Poids	1210g

AVERTISSEMENT: Cet appareil nécessite l'intervention d'un professionnel

Model No	P400-1000
Image Sensor	1/3" Sony Exmor Digitale Bild-Sensor IMX238
Signal System	PAL/NTSC
Bildelemente	1280 x 1024 (1.3MP)
Linse	2.8 - 12mm Varifocal MP Lens
horizontale Auflösung	1000TV Zeile
S/N Radio	50dB (AGC OFF)
Auto Electronic Shutter	PAL: 1/50-1/100,000 secs NTSC: 1/60 - 1/100,000 secs
OSD-Menü	AE Mode, D&N, Motion Detection
WDR	Auf / Aus
Ausgabemodus	4:3 / 16:9
Sprache	Französisch / Russisch / Chinesisch / Italienisch / Englisch
3D-NR	AUTO
Digital Zoom	0-5x (fakultativ)
Auto Gain Control	Eingebaut
Weißabgleich	AUTO
IR LED	48 PCS
IR-Bereich	40-50M
Mindestbeleuchtung	0 Lux (IR ON) IR-cut technologie
Video outpur	1.0Vp-p Composite Signal (75ohm)
Gamma-Korrektur	0.45
Stromversorgung	DC12V
Stromaufnahme	100mA (IR OFF) 420mA (IR ON)
IP Wertung	IP66
Lagertemperatur	-30°C~+80°C
Betriebstemperatur	-30°C~+75°C
Größe	240x105x200mm
Gewicht	1210g

WARNUNG: Diese Kamera erfordert professionelle Installation

P400-1000: Graphical Representation



OSD Menu Option Features

3D-NR: 3D Noise Reduction helps reduce image noise by continually analysing the differences between each successive image frame to keep the image true and adjust pixels.

AE Mode: AE stands for Automatic Exposure. This feature automatically controls the aperture setting, the shutter speed, white balance and ISO, to give you the correct exposure.

Day & Night:

Auto: Automatically switches between day and night vision (switches IR LEDs on or off) depending on the light levels around the location of the camera.

External: If the camera is located in an outdoor location this setting will compensate for the higher light temperature levels.

Colour: Dual imager option to allow you to manually set up day & night function.


B&W: Dual imager option to allow you to manually set up day & night function.

Motion Detection: You can set up to 8 areas to mask off if you do not want your DVR to trigger recording and/or alarm, in the case of motion being detected in those particular areas.

Specification: Multi-Language Versions

PORTUGUES 	
Modelo nº	P400-1000
Sensor de imagem	1/3" Sony Exmor Sensor de Imagem Digital IMX238
Sistema de Sinal	PAL/NTSC
Elementos de Imagem	1280 x 1024 (1.3MP)
Lente	2.8 - 12mm Varifocal MP
resolução Horizontal	1000TV Linhas
S/N rádio	50dB (AGC OFF)
Shutter Eletrónico Automático	PAL: 1/50-1/100,000 secs NTSC: 1/60 - 1/100,000 secs
Menu OSD	AE Mode, D&N, Motion Detection
WDR	EM / OFF
Modo de saída	4:3 / 16:9
Idioma	Françês / Russo / Chinês / Italiano / Inglês
3D-NR	AUTO
Zoom digital	0-5x (opcional)
Controle Automático de Ganho	Built-in
Balanco de Branco	AUTO
IR LED	48 PCS
IR alcance	40-50M
Iluminação mínima saída de Vídeo	0 Lux (IR ON) IR-cut tecnologia
Correção Gamma	0.45
Fonte de alimentação	DC12V
Consumo de corrente	100mA (IR OFF) 420mA (IR ON)
IP classificação	IP66
Temperatura de armazenamento	-30°C~+80°C
Temperatura de Operação	-30°C~+75°C
Dimensões	240x105x200mm
Peso	1210g

AVISO: Esta câmara requer instalação profissional

POLSKI 	
Publ.	P400-1000
Czujnik obrazu	1/3" Sony Exmor Czujnik obrazu cyfrowego IMX238
sygnał systemu	PAL/NTSC
obrazek Elements	1280 x 1024 (1.3MP)
obiektyw	2.8 - 12mm Varifocal MP
Rozdzielczość w poziomie	1000TV Lines
S/N Radio	50dB (AGC OFF)
Migawka Elektroniczna	PAL: 1/50-1/100,000 secs NTSC: 1/60 - 1/100,000 secs
Menu OSD	AE Mode, D&N, Motion Detection
WDR	ON / OFF
Tryb wyjścia	4:3 / 16:9
Język	Francoński / Rosyjski / Chiński / włoski / angielski
3D-NR	AUTO
zoom cyfrowy	0-5x (fakultatywny)
Auto Gain Control	Wbudowany
Balans bieli	AUTO
IR LED	48PCS
IR zakres	40-50M
Min. oświetlenie	0 Lux (IR ON) IR-cut technologia
Wyjście wideo	1.0Vp-p Sygnał kompozytowy (75ohm)
Korekcja gamma	0.45
Zasilanie	DC12V
Pobór prądu	100mA (IR OFF) 420mA (IR ON)
IP ocena	IP66
Temperatura przechowywania	-30°C~+80°C
Temperatury pracy	-30°C~+75°C
Wymiary	240x105x200mm
Waga	1210g

OSTRZEŻENIE: Ten aparat wymaga profesjonalnej instalacji

