

# The Xpelair Simply Silent™ family.

Our quietest bathroom fans. **Fact.**



## NOISY BATHROOM FAN KEEPING YOU UP AT NIGHT?

YOU'RE NOT ALONE.

**48%**

Just under half of UK adults rated their existing bathroom as 'noisy'.

**1 in 4**

A quarter of those UK adults would describe their bathroom fan as 'annoyingly noisy'.

**14.5m**

An estimated 14.5m UK adults have a noisy bathroom fan in their home.

**4.5m**

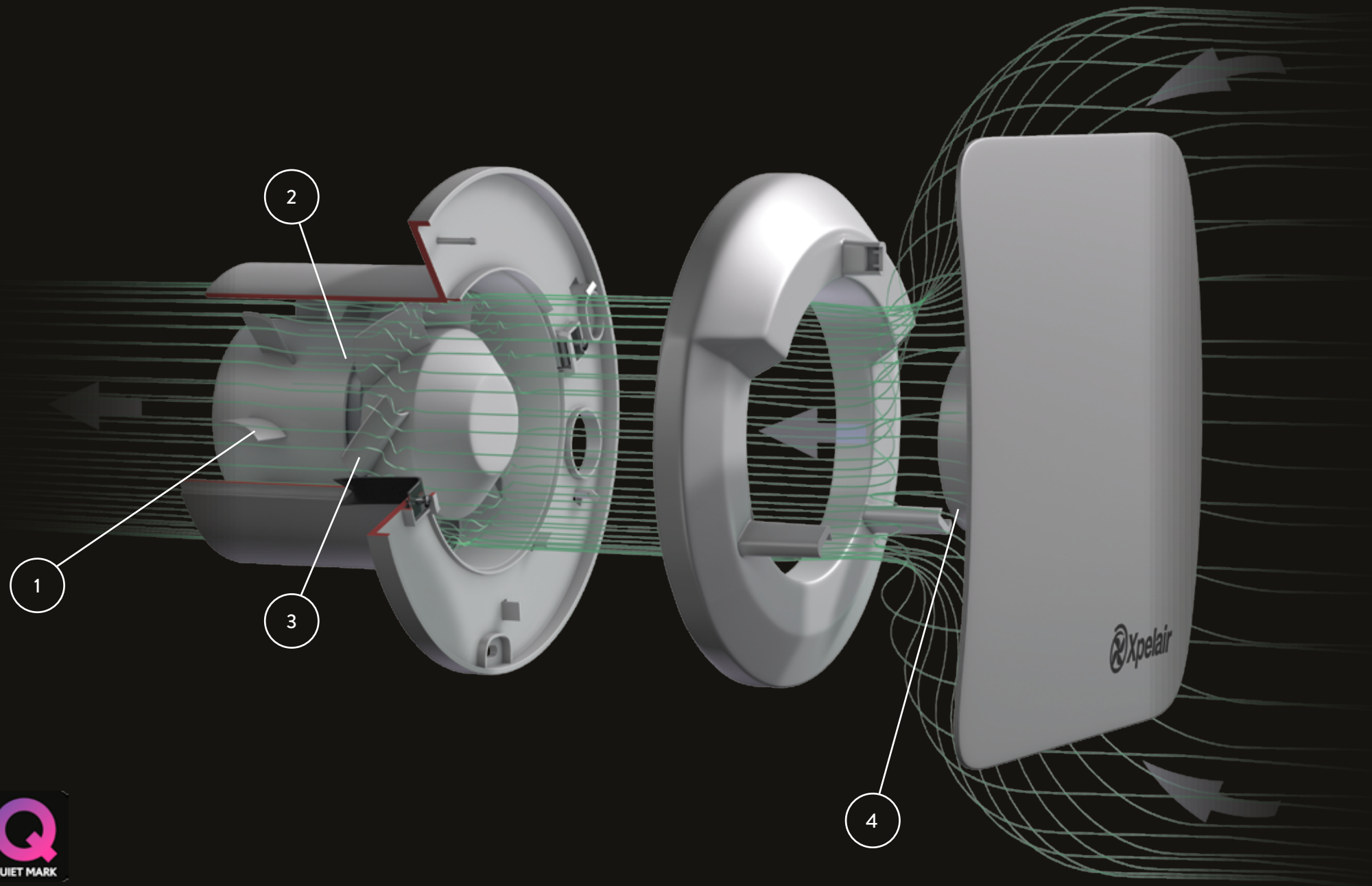
Some 4.5m of the population have been woken up or kept awake by a noisy bathroom fan.

**1 in 3**

A chronic lack of sleep affects more than one third of the British public – and the bathroom fan is one of the main offenders.

**The revolution in bathroom fans starts here.**





## Simply Silent™ With Ghost™ Air Movement Technology

Other bathroom fans claim to be quiet. Only the Simply Silent™ family of bathroom and purpose-designed in-shower fans use unique, innovative Ghost™ Air Movement Technology to deliver near-silent running.

Fan noise comes from both the motor and the movement of air. To combat this, Ghost™ Air Movement Technology uses long-life silent running motors and precision engineered components to avoid mechanical noise, whilst advanced air flow management eliminates irregular air flow paths and turbulence.

### A look inside



Flow straighteners guide air through the duct, reducing turbulence.



Long-life ball-bearing motors **suppress motor noise.**



Optimised impeller blade design **maximises performance, whilst minimising noise.**



A cone behind the front baffle directs air straight onto the impeller for **optimal airflow efficiency.**

## WHAT ABOUT AIR QUALITY?

# 2 gallons

The average family produces approximately two gallons of water vapour per day just by breathing, washing and cooking.

It isn't enough for bathroom fans to be quiet. Today's bathroom fans are required by law to improve air comfort and air quality in bathrooms, shower rooms, cloakrooms and toilets.

Radical changes in the design and construction methods of domestic buildings over the past two decades mean our homes are better sealed and insulated. We are cosier and more energy efficient, but our homes are unable to breathe naturally. Indoor pollution isn't just bad for the building fabric; it can affect our health too. Bronchial conditions can be triggered by the house dust mite that thrives in warm moist conditions.

### Intermittent Ventilation

These fans are turned on and off on demand. For instance, they can be wired to a remote switch such as a lighting circuit, and be turned on and off with the light. The minimum domestic mechanical ventilation requirements are:

- Bathroom, shower room: 15l/s
- Separate toilets: 6l/s

Simply Silent Contour (p18-23), DX100 (p24-25) and Shower Fan Complete (p26-27) meet these requirements.

Part F1 of the Building Regulations calls for adequate ventilation in buildings which '*under normal conditions is capable of restricting the accumulation of such moisture (which could lead to mould growth) and pollutants originating within the building as would otherwise become a hazard to the health of people in the building*'. This may be achieved by the provision of:

### Continuous Ventilation

These fans extract continuously where humidity may be generated throughout the day and night, and boost automatically via a switch or humidistat. The minimum domestic high rate requirements are:

- Kitchen: 13l/s
- Utility room, bathroom, shower room: 8l/s
- Separate toilets: 6l/s

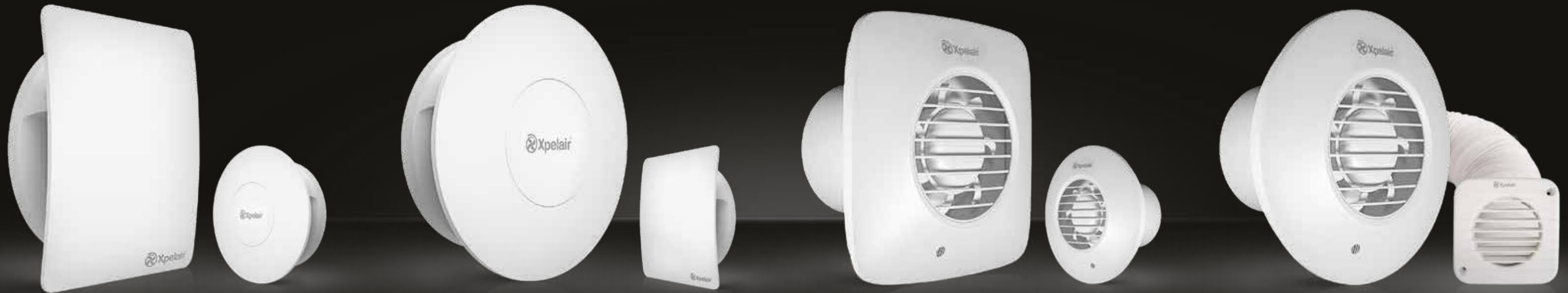
Simply Silent Contour CV (p20-23) meets all of these requirements.

# Introducing the Xpelair Simply Silent™ family



Each range in the Simply Silent™ family eliminates humidity, condensation and odour effectively to improve air quality in bathrooms, shower rooms, cloakrooms and toilets.

Other bathroom fans claim to be quiet. Only the Simply Silent™ family of bathroom and purpose-designed in-shower fans use advanced Ghost™ Air Movement Technology to deliver near-silent running. Plus, all of the fans are stylish, simple to install and maintain, and come with either a two or five-year warranty. They're truly revolutionary.



## Simply Silent™ Contour

This stylish, two-speed, intermittent bathroom fan range, with its sleek, smooth fascias, is suitable for all applications and design preferences. Finished in cool white.

## Simply Silent™ Contour CV

Our continuous bathroom and kitchen fan range combines all the benefits of the Simply Silent™ Contour with **Intelligent Adaptiflow™ Sensing**, adjusting the fan speed intuitively to maintain a constant volume of extracted air. Finished in cool white; Low Volt (LV) model also available.

## Simply Silent™ DX100

Where the contemporary meets the conventional: this two-speed, intermittent bathroom fan range shares many of the benefits of the Simply Silent™ Contour, but has a more traditional look. Finished in cool white; Low Volt (LV) model also available.

## Simply Silent™ Shower Fan Complete

Only Simply Silent™ Shower Fans boast the low noise levels and extraction power for in-shower installation – right at the point of humidity – for a steam-free bathroom environment. Like the Simply Silent™ DX, our shower fan has a traditional grille-style fascia, finished in cool white.





## State-of-the-art innovations that run in the family



### Simply Silent™

Near-silent running minimises disturbance from noisy bathroom fans for a peaceful night's sleep.



### Simply beautiful

Each stylish fascia blends seamlessly with the surrounding decor.



### So Simple installation

A range of smart and innovative features enables a quick, simple and hassle-free installation.



### So Simple maintenance

Every fascia may be removed with ease for cleaning.



### Intelligent Adaptiflow™ Sensing

The Simply Silent™ Contour CV range uses Intelligent Adaptiflow™ Sensing to deliver a constant volume performance.



### Compliant

Rest assured that the Simply Silent™ family complies fully with Building Regulations Part F and Part L.



### ERP rated

All products in the Simply Silent™ family exceed the requirements of the ErP directive 2015.



### IPX4 rated

The Simply Silent™ family is suitable for safe installation in bathroom wet areas, providing extra protection and peace of mind.



### UK warranty

As a measure of our confidence, every fan in the Simply Silent™ family comes with our two or five-year UK warranty.



## Simply beautiful Sleek. Smooth. Subtle.

Simply Silent™ bathroom and shower fans are designed to blend seamlessly with the surrounding decor. Discover the beauty of silence.

The **Simply Silent™ Contour** and **Simply Silent™ Contour CV** ranges feature sleek, smooth fascias available in interchangeable options – square or round – to suit all applications and design preferences.

Meanwhile, the **Simply Silent™ DX100** and **Simply Silent™ Shower Fan Complete** ranges boast a modern take on traditional styling, featuring a more conventional grille design. Finished in cool white, these stylish fascias are also available in square or round options.\*

No matter your preference, one thing is certain: you won't even know the fan is there.

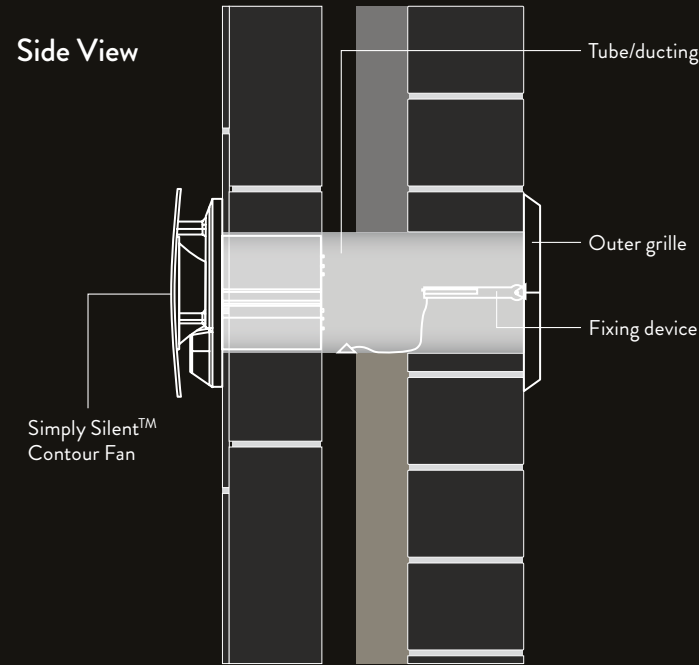


# Complete installation without stepping outside

## Simply Silent™ easy-fit wall kit

The revolutionary Simply Silent™ wall kit allows fuss-free fitting of the outer grille from the inside. It really couldn't be easier.

Available in four different grille designs, the kit comes complete with wall tube.



Fold the outer grille.

Push through the wall tube.

Open up the outer grille.

Pull back on the string to secure to the outside wall.

SSWKWR



SSWKWS



SSWKBR



SSWKBS



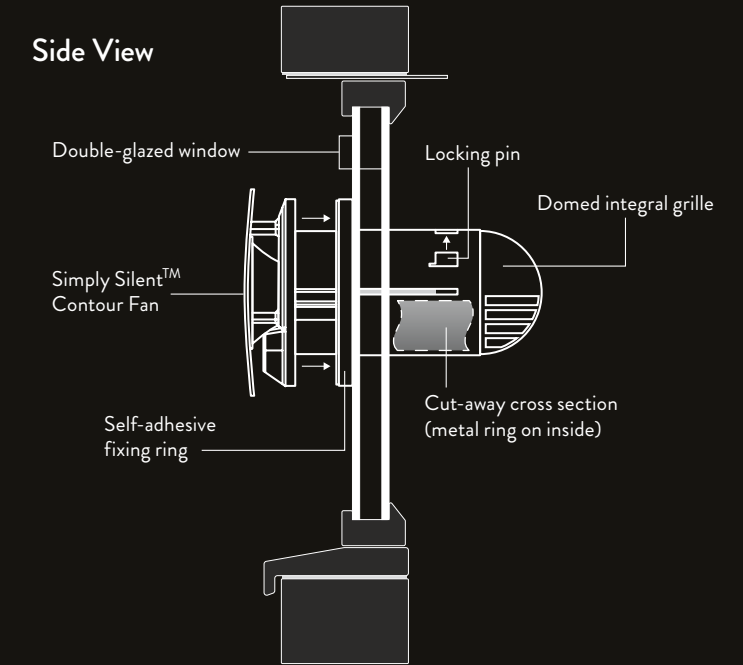
Kits shown varies from that supplied with the DX100.

Only Xpelair offers innovative approaches to fitting from inside a building through both walls and windows. There's no need for installers to gain access from outside or operate at high levels, for fitting that's safe and easy.



## Simply Silent™ quick-fit window kit

The innovative Simply Silent™ quick-fit window kit makes installing the outer grille a breeze. Suitable for single, double or triple-glazed window mounting applications up to 43mm thick, the kit can be fully installed from inside the building.



### Stage 1

Fit the self-adhesive internal alignment fixing ring then insert the housing with domed integral grille.

### Stage 2

Insert the steel wall tube and rotate it to the tightest locking position.

### Stage 3

Insert the four locking pins to secure it.

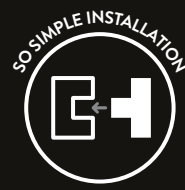
### Stage 4

Fit the fan using the short machine screws supplied.

- SSWKWR** 92991AW Simply Silent™ Wall Kit Round/White
- SSWKWS** 92992AW Simply Silent™ Wall Kit Square/White
- SSWKBR** 92993AB Simply Silent™ Wall Kit Round/Brown
- SSWKBS** 92994AB Simply Silent™ Wall Kit Square/Brown

- SSSB** 92957AW Replacement Simply Silent™ Square Baffle
- SSRB** 92958AW Replacement Simply Silent™ Round Baffle
- SSAK** 93061AA Simply Silent™ Simply Silent Adaptor Kit
- SSWIN** 92996AA Simply Silent™ Window Kit





## So Simple installation Fuss-free fitting

The flexible Simply Silent™ family of bathroom and shower fans suits wall, ceiling, panel or window installations. So Simple installation makes fitting quick and hassle free – wherever the fan is positioned.



Twist and clip cover.



Larger cable access.



Radial fixing points and level reference.



Screwless hook and clip cover.



Quick fit clamp.

It's all thanks to a range of clever features – like the built-in **So Simple quick-fit clamp** that allows the fan to be secured simply to ceilings and panels. **Larger cable access slots** enable easy wiring. Three adjustable **radial screw fixing points** and **level reference line** ensure flexible and accurate fan alignment. The duct is strengthened to avoid breakage

and distortion during installation. Plus, all Simply Silent™ fans feature **hook and clip fan covers** – no screws. And, with the quick-fit **Simply Silent™ 100-150mm Wall Adaptor Kit**, a 100mm (4") Simply Silent™ Contour CV fan may be installed in place of a traditional 150mm (6") fan, all without loss of extract performance.



## So Simple maintenance Quick and easy cleaning

The Simply Silent™ family of bathroom and shower fans has been designed to make cleaning and servicing as simple as possible for the homeowner. It's what we like to call So Simple maintenance.

Our **Simply Silent™ Contour** and **Simply Silent™ Contour CV** models feature a sleek, smooth fascia that's wipe-clean – just use a cloth. For a more thorough clean, a twist-and-click mechanism allows the fascia to twist off for interior cleaning.

Meanwhile, our **Simply Silent™ DX100** and **Simply Silent™ Shower Fan Complete** models have a traditional grille-style fascia, complete with clip-off mechanism to allow for cleaning.

Maintenance really is So Simple.

# Simply Silent™ Contour (4"/100mm)

Sleek and smooth: the two-speed, intermittent extractor fan range

The Simply Silent™ Contour range of two-speed (15l/s and 21l/s – selected at install), intermittent extractor fans control humidity, odours and mould growth effectively in bathrooms, shower rooms, cloakrooms and toilets.

Choose either a square or round fascia, include a run-on timer that is fully adjustable when installed (can be set from 30 seconds to 30 minutes once the unit is switched off), or specify a pull cord for on-demand operation.

Alternatively, opt for the timer plus a built-in humidistat to regulate humidity automatically. And don't forget the easy-fit wall or quick-fit window kit, available as add-ons.

With so many options, the Simply Silent™ Contour range suits an array of applications and design preferences.

## Product information



### MODELS

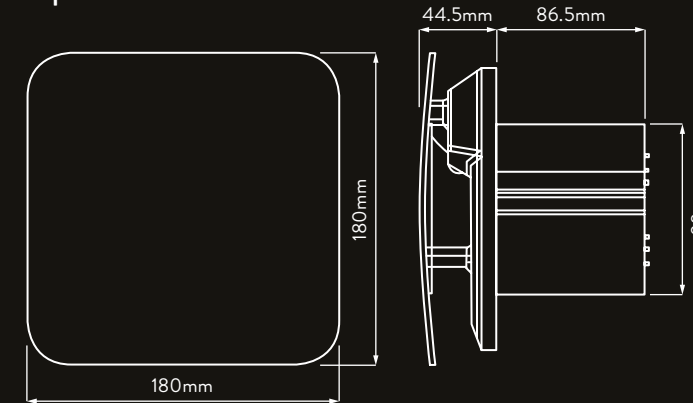
		Design	Timer	Pull cord	Humidistat	Standard
C4S	92960AW	■				✓
C4TS	92962AW	■	✓			
C4PS	92964AW	■		✓		
C4HTS	92966AW	■	✓		✓	
C4R	92961AW	●				✓
C4TR	92963AW	●	✓			
C4PR	92965AW	●		✓		
C4HTR	92967AW	●	✓		✓	



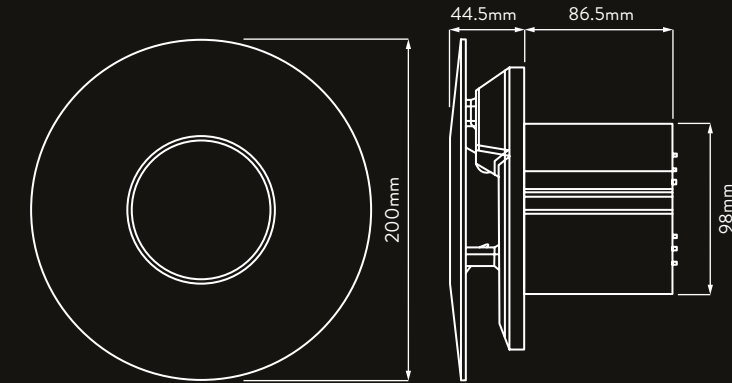
# Simply Silent™ Contour (4"/100mm)

## Technical data

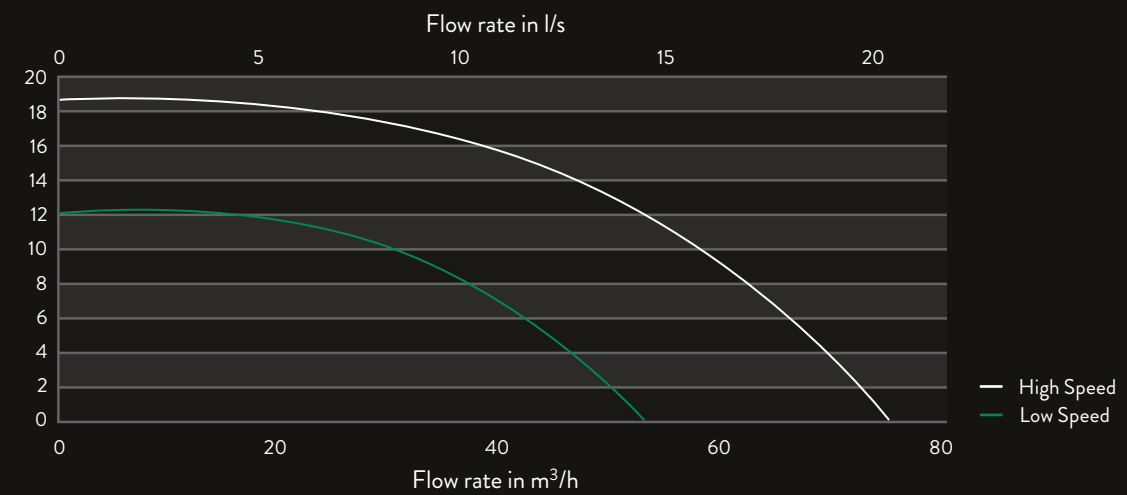
### Square



### Round



## Performance



## Specification

	Contour
Speeds	2
Extract Performance (l/s)	15/21
Extract Performance (m³/h)	54/76
Electrical Power Rating (W)	6.7/7.7
Specific Fan Power (W/l/s)	0.45/0.37
Sound Pressure Level (dBA @ 3M)	16/29
IP Rating	X4
Motor Type	AC
ErP Compliant	Yes



Sound pressure testing carried out at ISVR, University of Southampton – June 2014.

# Simply Silent™ Contour CV and CVLV

## Superior technology



The **Simply Silent™ Contour CV** range uses Intelligent Adaptiflow™ Sensing to deliver a constant volume performance.

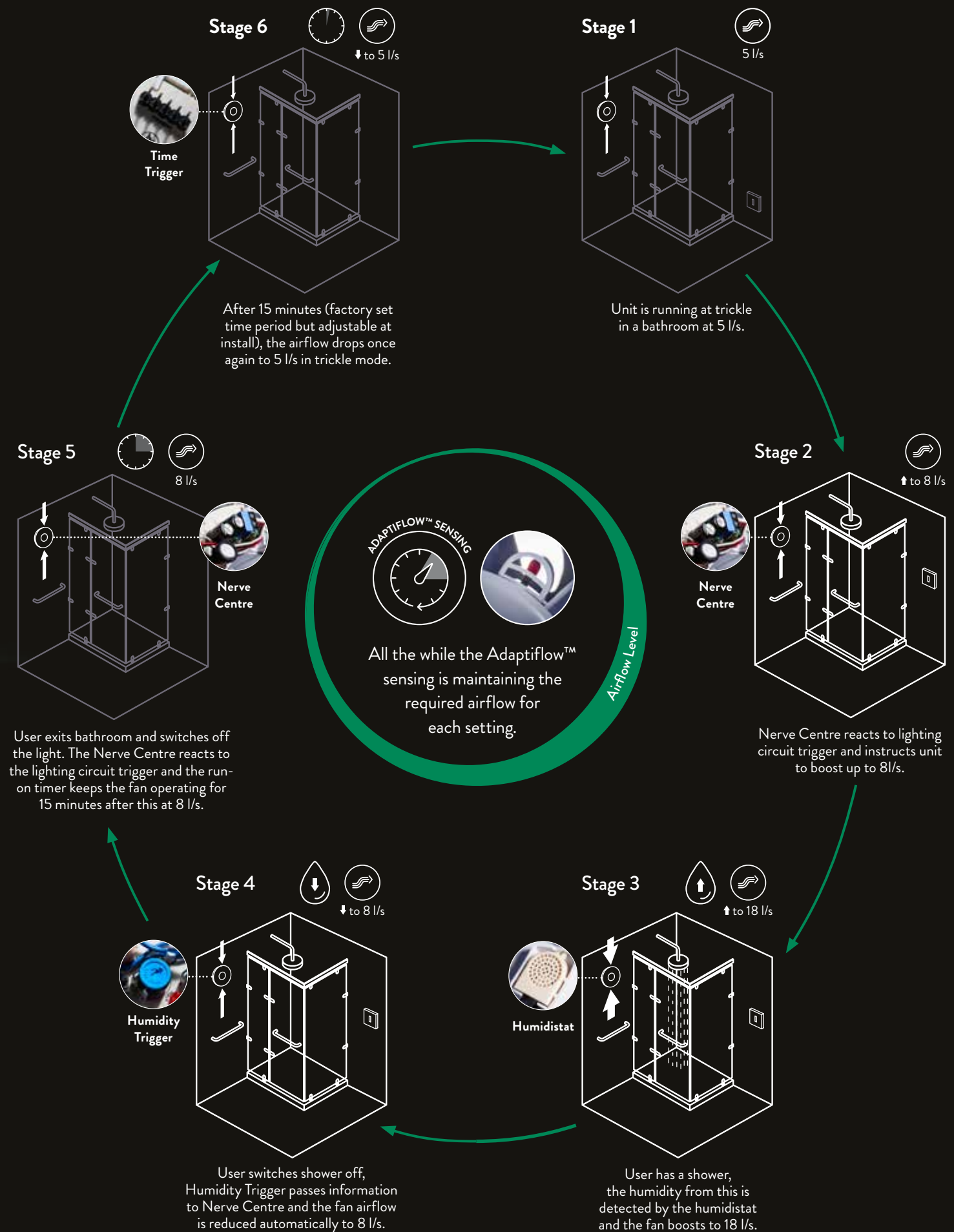


A unique sensor is located in the duct airflow and is continuously calculating and recording the flow rate, taking hundreds of measurements each second. When the technology senses consistent changes in airflow, brought about by reduced ducting efficiency or a strong wind applying back pressure in the duct, it adapts the fan intuitively to maintain a constant volume of extracted air.

Intelligent Adaptiflow™ Sensing works cooperatively with the product's active humidistat. This means that

when the humidity increases rapidly, or reaches the fan's preset humidity level then the required flow rate increases. The sensor will reflect this in the information it is sending to the fan's high speed central processor.

The benefit of Intelligent Adaptiflow™ Sensing delivering constant volume performance is that the homeowner can be assured that the desired airflow is achieved for the lifetime of the product.





# Simply Silent™ Contour CV and LVCV (4"/100mm)

Intelligent and intuitive: continuous extractor fans with Intelligent Adaptiflow™ Sensing

The Simply Silent™ Contour CV range combines all the benefits of the Simply Silent™ Contour with Intelligent Adaptiflow™ Sensing. This smart technology senses changes in airflow, adapting the fan speed intelligently to maintain constant volume of extracted air.

Particularly suited to new-build and high-end specifications, the Simply Silent™ Contour CV range features a datalogger designed to help landlords and local authorities avoid damage to their housing stock through condensation and mould.

The datalogger records the fan's daily use; the data can then be gathered and interpreted by a technician. This provides the property owner with information on whether a fan has been in operation or whether a tenant has switched it off. Simply Silent™ LVCV (Low Volt) models are designed specifically for safe installation directly in or over the splash area zone 1, offering complete peace of mind. These models are supplied with a 24V SELV transformer, positioned out of reach of any person using the bath or shower.

## Product information

### MODELS

		Design	External Transformer
CV4S	92968AW	■	
LVCV4S	92970AW	■	✓
CV4R	92969AW	●	
LVCV4R	92971AW	●	✓

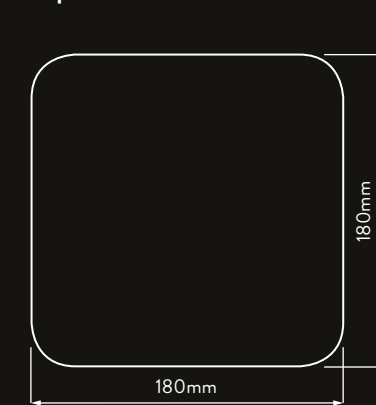


GHOST™  
AIR MOVEMENT  
TECHNOLOGY

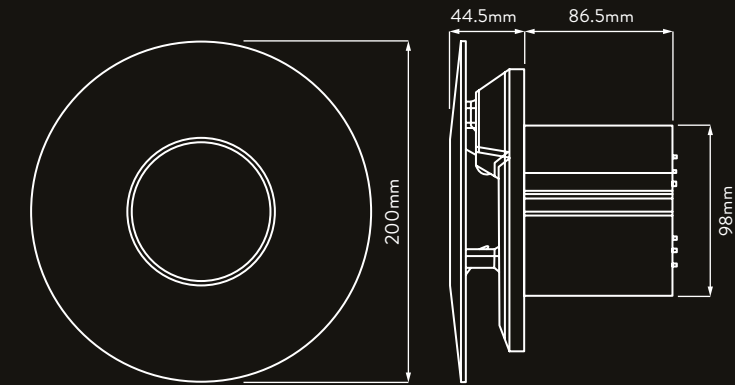


# Simply Silent™ Contour CV and LVCV (4"/100mm) Technical data

### Square

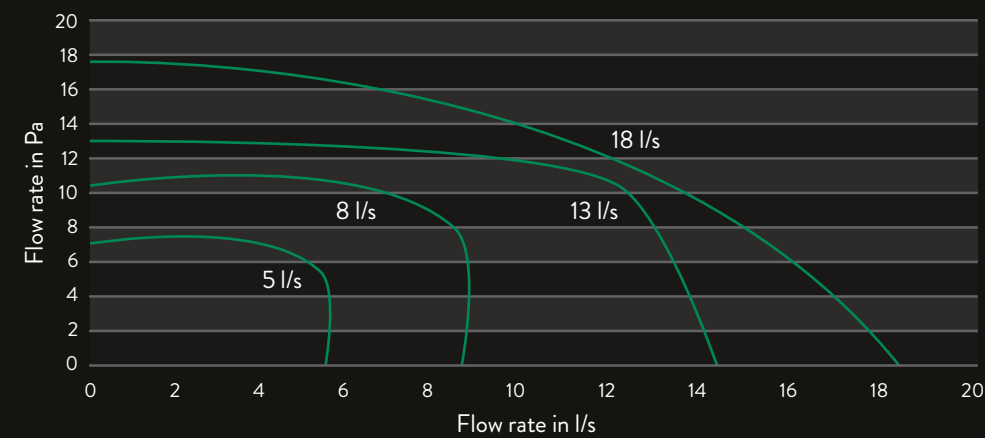


### Round



## Performance

4" Constant volume fans: performance curve: Flow Rate vs Pressure



## Specification

	Contour CV		Contour LVCV	
	Bathroom	Kitchen	Bathroom	Kitchen
Speeds	2	2	2	2
Extract Performance (l/s)	5/8/18	8/13/18	5/8/18	8/13/18
Extract Performance (m³/h)	18/29/65	29/47/65	18/29/65	29/47/65
Electrical Power Rating (W)	1.6/1.9/2.9	1.9/2.3/2.9	1.6/1.9/2.9	1.9/2.3/2.9
Specific Fan Power (W/l/s)	0.32/0.24/0.16	0.24/0.18/0.16	0.40/0.29/0.21	0.29/0.24/0.21
Sound Pressure Level (dBA@3M)	15.1/18.9/28.1	18.9/22.9/28.1	15.1/18.9/28.1	18.9/22.9/28.1
IP Rating	X4	X4	X5	X5
Motor Type	DC			
ErP Compliant	Yes			

Sound pressure testing carried out at ISVR, University of Southampton – February 2015.

ISVR Consulting  
Consultants in Noise and Vibration

# Simply Silent™ DX100 and LV100 (4"/100mm)

Conventional, yet cool: grille-style, two-speed, intermittent extractor fan range

The Simply Silent™ DX two-speed, intermittent extractor fan range is designed for those looking for something conventional, with a modern twist. Just like the entire Simply Silent™ family, these fans control humidity, odours and mould growth effectively in bathrooms, shower rooms, cloakrooms, toilets and kitchens. But the Simply Silent™ DX range features a more conventional grille-style fascia, finished in cool white and available in either round or square.

Choose either a square or round fascia, include a run-on timer that is fully adjustable when installed (can be set from

30 seconds to 30 minutes once the unit is switched off), a pull cord for on-demand operation, or a timer and built-in humidistat to regulate humidity automatically. With so many options, the Simply Silent™ DX100 range is ideal for a variety of applications.

The Simply Silent™ LV100 (Low Volt) models are designed specifically for safe installation directly in or over the splash area zone 1, offering complete peace of mind. These models are supplied with a 12V SELV transformer, positioned out of reach of any person using the bath or shower.

## Product information

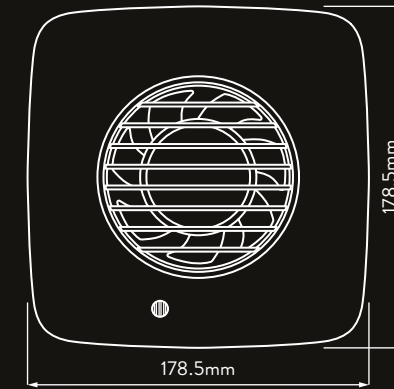


MODELS		Design	Timer	Pull cord	Humidistat	PIR	Standard
With Kit	DX100S	93025AW	■				✓
	DX100TS	93026AW	■	✓			✓
	DX100PS	93027AW	■		✓		
	DX100HTS	93028AW	■	✓		✓	
	DX100HPTS	93029AW	■	✓	✓	✓	
	DX100PIRS	93030AW	■			✓	
	DX100R	93005AW	●				✓
	DX100TR	93006AW	●	✓			
	DX100PR	93007AW	●		✓		
	DX100HTR	93008AW	●	✓		✓	
DX100HPTR	93009AW	●	✓	✓	✓		
DX100PIRR	93010AW	●				✓	
With Kit	DX100BS	93017AW	■				✓
	DX100BTS	93018AW	■	✓			
	DX100BPS	93002AW	■		✓		
	DX100BHTS	93019AW	■	✓		✓	
	DX100BHPTS	93020AW	■	✓	✓	✓	
	DX100BR	92297AW	●				✓
	DX100BTR	92998AW	●	✓			
	DX100BPR	93001AW	●		✓		
	DX100BHTR	92999AW	●	✓		✓	
	DX100BHPTR	93000AW	●	✓	✓	✓	
With Kit	LV100S	93031AW	■				✓
	LV100TS	93033AW	■	✓			
	LV100PS	93032AW	■		✓		
	LV100HTS	93034AW	■	✓		✓	
	LV100HPTS	93035AW	■	✓	✓	✓	
	LV100PIRS	93036AW	■			✓	
With Kit	LV100R	93011AW	●				✓
	LV100TR	93013AW	●	✓			
	LV100PR	93012AW	●		✓		
	LV100HTR	93014AW	●	✓		✓	
	LV100HPTR	93015AW	●	✓	✓	✓	
	LV100PIRR	93016AW	●			✓	

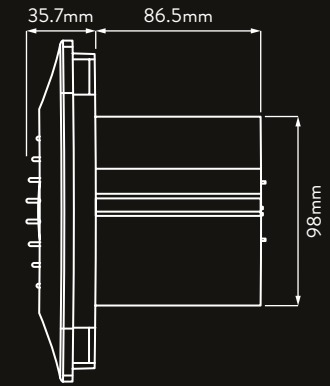
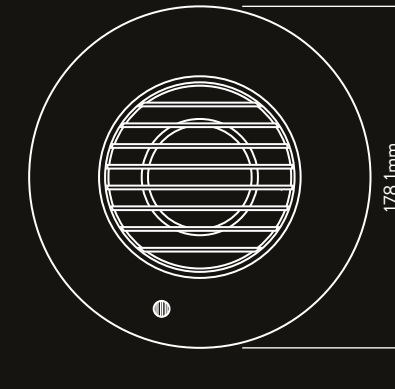
# Simply Silent™ DX100 and LV100 (4"/100mm)

## Technical data

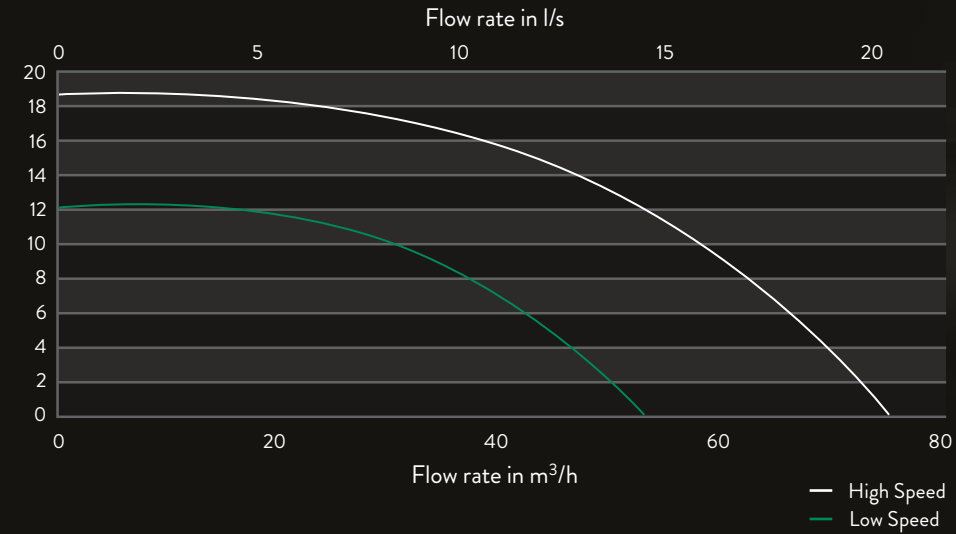
Square



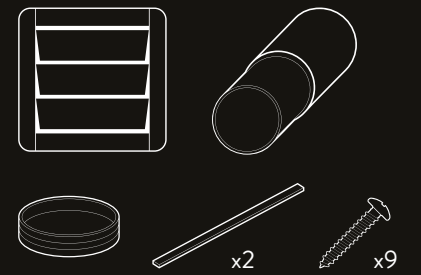
Round



## Performance



Kit Includes\*



## Specification

	DX100	LV100
Speeds	2	2
Extract Performance (l/s)	15/21	15/21
Extract Performance (m³/h)	54/76	54/76
Electrical Power Rating (W)	6.7/7.7	7.4/8.4
Specific Fan Power (W/l/s)	0.45/0.37	0.49/0.40
Sound Pressure Level (dBA@3M)	22/34	22/34
IP Rating	X4	X4
Motor Type	AC Motor	AC Motor
ErP Compliant	Yes	Yes

Sound pressure testing carried out at ISVR, University of Southampton – February 2015.

\*Please note: kit supplied with DX100 and LV100 varies from the individual wall and window kits shown on pages 14 & 15.

# Simply Silent™ Shower Fan Complete

High power, in shower: grille-style extractor fans designed for in-shower installation

Combining low noise levels with high extraction power, Simply Silent™ Shower Fans are purpose-designed for in-shower installation. This means that they carry out direct extraction right at the point of humidity for a steam-free bathroom environment. In fact, an installed Simply Silent™ Shower Fan achieves an 88% improved extraction rate over comparable in-line shower fans.

Because the Simply Silent™ Shower Fan Complete is positioned directly in the shower cubicle itself, it's quick

and easy to fit. Plus, it won't be subjected to the loft space temperature extremes that in-line shower fans are.

Like the Simply Silent™ DX100 range, the Simply Silent™ Shower Fan Complete has a traditional grille-style fascia. Finished in cool white, this product is available with a round fascia.

## Product information



### MODELS

	Design	Timer
93086AW	●	✓

### Kit Includes

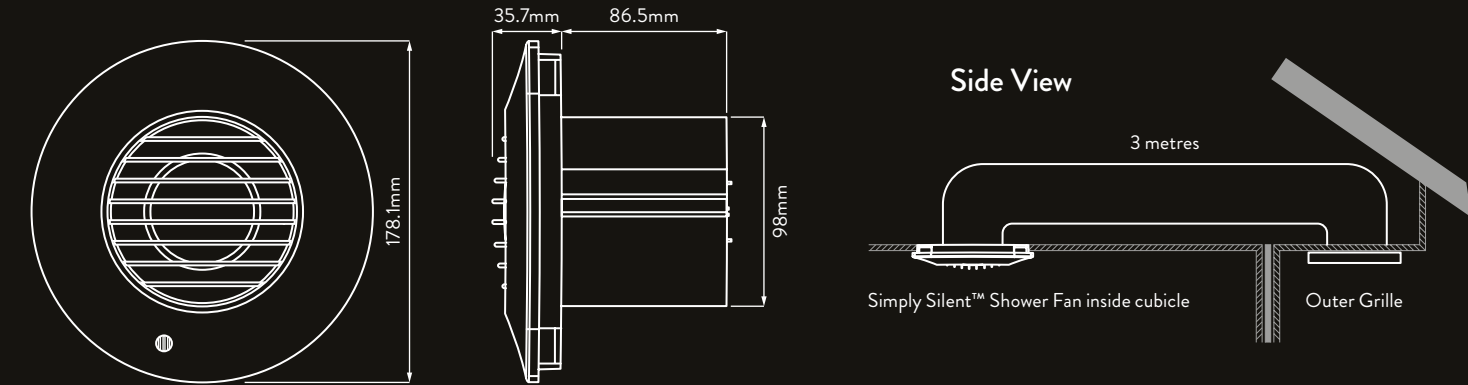
- DX100BT extractor fan
- External grille
- 3M flexible ducting



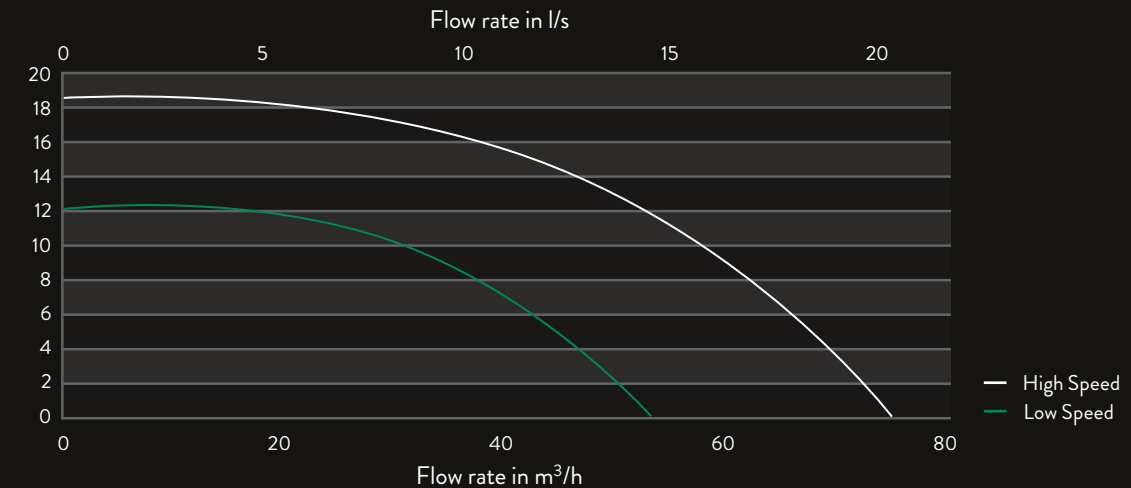
# Simply Silent™ Shower Fan Complete

## Technical data

### Round



### Performance



### Specification

	Shower Fan Complete
Speeds	2
Extract Performance (l/s)	15/21
Extract Performance (m³/h)	54/76
Electrical Power Rating (W)	6.7/7.7
Specific Fan Power (W/l/s)	0.45/0.37
Sound Pressure Level (dBA@3M)	22/34
IP Rating	X4
Motor Type	AC Motor
ErP Compliant	Yes



Sound pressure testing carried out at ISVR, University of Southampton – February 2015.



#### UK Sales

Sales Hotline: 0844 372 7750

Sales Fax: 0844 372 7760

Sales Email: [rxsalesoffice@redringxpelair.com](mailto:rxsalesoffice@redringxpelair.com)

#### International Sales

Sales Hotline: +44 (0) 1733 456789

Sales Fax: +44 (0) 1733 456727

Sales Email: [int.sales@redringxpelair.com](mailto:int.sales@redringxpelair.com)

#### Technical Services

Service Hotline: 0844 372 7766

Service Fax: 0844 372 7767

Service Email: [service.request@redringxpelair.com](mailto:service.request@redringxpelair.com)



Newcombe House, Newcombe Way  
Orton Southgate, Peterborough  
United Kingdom, PE2 6SE

t 0844 372 7761  
f 0844 372 7762  
[www.xpelair.co.uk](http://www.xpelair.co.uk)

5 Charlestown Avenue,  
Charlestown Industrial Estate  
Craigavon, Co. Armagh, BT63 5ZF

t (028) 38 337317  
e [sales@glendimplexni.co.uk](mailto:sales@glendimplexni.co.uk)

Improving population health and well-being with innovative  
and energy efficient indoor air quality and air comfort solutions.

Xpelair is a registered trademark of Redring Xpelair Group Ltd (RXG). RXG reserves the right to alter product specification or appearance without prior notice. All finishes in this brochure are as accurate as printing processes allow. Based on performance independently tested at 15l/s by ISVR June 2014.

All rights reserved.

[www.xpelair.co.uk/simply-silent.html](http://www.xpelair.co.uk/simply-silent.html)

